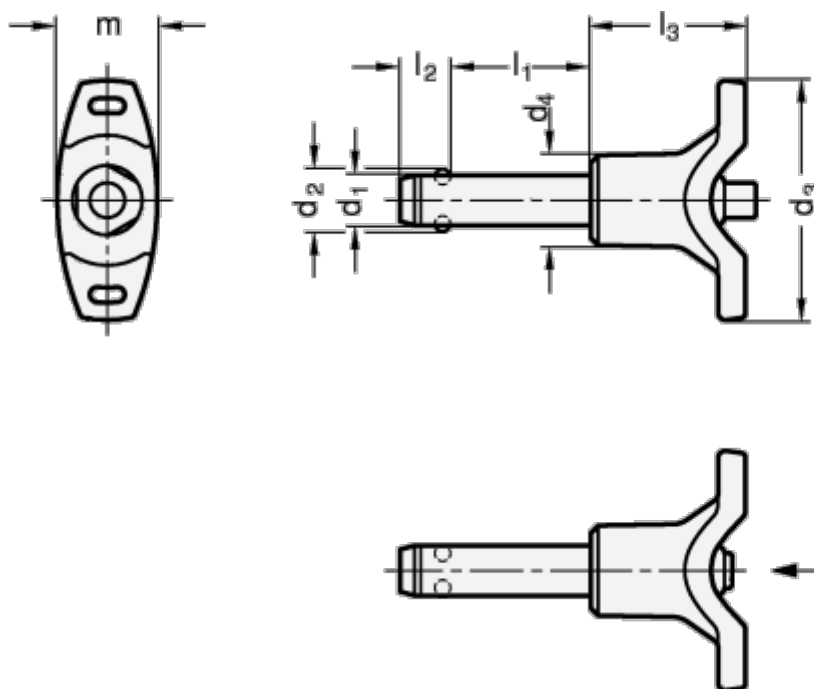


Article number: 201138510

Description: E+G stainless steel-ball lock pin  
GN 113.8-5-10

## Measures



$d_1 = 5$

$d_2 = 5.5$

$d_3 = 40$

$d_4 = 13.5$

$l_1 = 10$

$l_2 = 6.0$

$l_3 = 25.0$

$m = 15.5$

Resilience (N) = 24